

features

- Simple, user friendly design
- Simple to install
- Intuitive to use
- 2, 4 or 8 Zones
- Walk test
- Enhanced feature set
- Multilingual text inserts
- Designed to comply with EN54 part 2 and part 4.

The Horizon series of conventional control panels has been developed to provide a simple and reliable solution to the demands of today's fire detection solutions.

The Horizon range has been designed with both installer and end users requirements in mind.

For installers, Horizon offers an out of the box and on the wall solution. A combination of quick installation, an enhanced feature set and advanced programming allows installers to quickly and simply meet the demands of end user. Equipped with configurable class change inputs, coincidence detection, programmable delays to allow alarm verification and the facility to interface to larger house alarm systems.

For end users, clear visible indications, easy to operate functions and a big red key to activate the control buttons, make for simple and unambiguous operation.

Engineered and built to the same high standard as all Morley-IAS control panels, the Horizon system forms an essential part of any fire alarm solution.

The Horizon series of conventional control panels has been designed for use in small to medium commercial environments. It is specially suitable for Garages, Retail Units, Shops, Restaurants, Doctor's surgeries, Public Offices, Nursery Schools,...



Charles Avenue, Burgess Hill
West Sussex, RH15 9UF
United Kingdom

Tel: +44 (0) 1444 23 55 56
Fax: +44 (0) 1444 25 44 10
Email: sales@morleyias.co.uk
www.morley-ias.co.uk



Pending

A Honeywell Company

Horizon 2, 4 & 8 Series Conventional Fire Alarm Control Panels Data Sheet

We reserve the right to amend any design or specification in line with our policy of continuing development and improvement. © Morley-IAS Fire Systems 2004.



mechanical

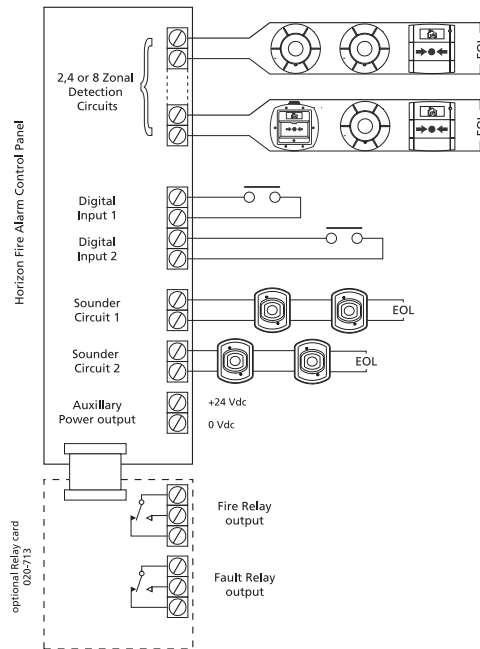
Dimensions:	318 x 356 x 96 mm (h x w x d)
Weight:	2 Kg (approx, no batteries fitted)
Construction:	Fire retardant, ABS plastic moulded enclosure, sealed to IP30.
Cable entry:	18 x 20mm knockouts in top of enclosure. 25 x 50 mm knockout in rear of enclosure.
Operating Temperature :	+5°C to +45°C
Relative Humidity :	5% to 95% non condensing.

electrical

Operating voltage:	230 Vac 50/60 Hz (±15%)
Internal Power supply:	
Output voltage	+18.5 to +28.5 Vdc
Output Current	1.8 Amps maximum
Maximum Alarm load:	1 Amp
Standby Batteries:	
Minimum capacity	2 x 12 V 2.8Ah
Maximum capacity	2 x 12 V 7 Ah
Standby Battery type:	Sealed lead acid.
Detection circuits :	2, 4 or 8 detection circuits. 2 mA per circuit (typically >20 detectors).
Approved detectors:	
Apollo	Series 60 wide voltage, Series 65 & Orbis.
Morley-IAS	Horizon HRZ Series
System Sensor	ECO1000, Series 300 & Vision.
Digital Inputs:	2 configurable inputs (Class Change, Alert, Evacuate, Reset).
Digital Input trigger:	Extended Closing contact.

External outputs:	
Sounder outputs:	2 monitored outputs. 0.5 Amps per circuit.
Auxiliary output :	+18.5 to +28.5 Vdc, 0.5 Amp. (max)
Optional Relay card :	1 x Fire relay (changeover contacts rating 30Vdc, 1 Amp). 1 x Fault relay (changeover contacts rating 30Vdc, 1 Amp).

Max wire gauge for terminals: 2.0 mm²



approvals



Pending

part numbers

002-492-222	Horizon HRZ 2e zone fire alarm control panel.
002-492-242	Horizon HRZ 4e zone fire alarm control panel.
002-492-282	Horizon HRZ 8e zone fire alarm control panel.
020-713	Horizon relay kit. (Fire & Fault relays).

local distributor

Every care has been taken in the preparation of this data sheet but no liability can be accepted for the use of information therein. Design features may be changed or amended without prior notice.

